

Synergy

S Y S T E M S

INNOVATION BUILT INTO
EVERY DESIGN

SCH POWER CONTACTORS



CB-035-MS

AN ISO 9001:2015
CERTIFIED COMPANY

WWW.SYNERGYIN.IN

SCH Power Contactor - 2Pole

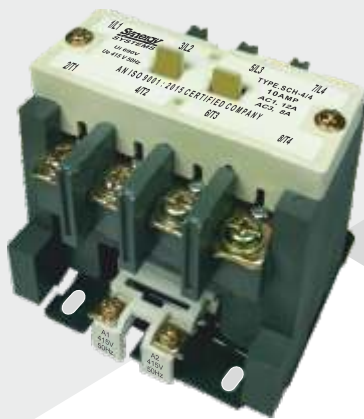


Coil Voltage 220V,415V

Cat. No.	AC-3 240V AC	AC-1 240V AC	Coil Voltage	Std. Pkg. Nos
SCH-2POLE 10Amp.	8A	10A	220V	48 Pcs.
SCH-2POLE 16Amp.	12A	16A	220V	48 Pcs.
SCH-2POLE 20Amp.	16A	25A	220V	48 Pcs.
SCH-2POLE 25Amp.	25A	40A	220V	48 Pcs.
SCH-2POLE 32Amp.	32A	45A	220V	48 Pcs.
SCH-2POLE 40Amp.	40A	50A	220V	48 Pcs.

- ▶ Suitable For Single & Three Phase Pump And Motor Applications
- ▶ Available With Wide Band Coil
- ▶ Suitable For Low Voltage Condition
- ▶ Easy Inspection And Replacement Of Coils And Contacts
- ▶ High Temperature Withstand Capability
- ▶ Robust Design Suitable For Tropical Conditions

SCH Power Contactor - 4/4Pole



Coil Voltage 220V,415V

Cat. No.	AC-3	AC-1	Coil Voltage 50/60Hz	Std. Pkg. Nos
SCH-4/4 10Amp.	8A.	10A.	415V	48 Pcs.
SCH-4/4 16Amp.	12A.	16A.	415V	48 Pcs.
SCH-4/4 20Amp.	20A.	30A.	415V	48 Pcs.
SCH-4/4 25Amp.	25A.	40A.	415V	48 Pcs.
SCH-4/4 32Amp.	32A.	45A.	415V	48 Pcs.
SCH-4/4 40Amp.	40A.	50A.	415V	48 Pcs.

SCH Power Contactor - 4Pole

Coil Voltage 220V,415V



Cat. No.	AC-3	AC-1	Coil Voltage 50/60Hz	Auxillary Cont.	Std. Pkg. Nos
SCH-4POLE 10Amp.	8A.	10A.	415V	1NO	48 Pcs.
SCH-4POLE 16Amp.	12A.	16A.	415V	1NO	48 Pcs.
SCH-4POLE 20Amp.	20A.	30A.	415V	1NO	48 Pcs.
SCH-4POLE 25Amp.	25A.	40A.	415V	1NO	48 Pcs.
SCH-4POLE 32Amp.	32A.	45A.	415V	1NO	48 Pcs.
SCH-4POLE 40Amp.	40A.	50A.	415V	1NO	48 Pcs.

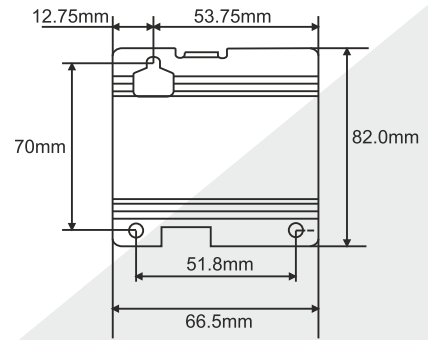
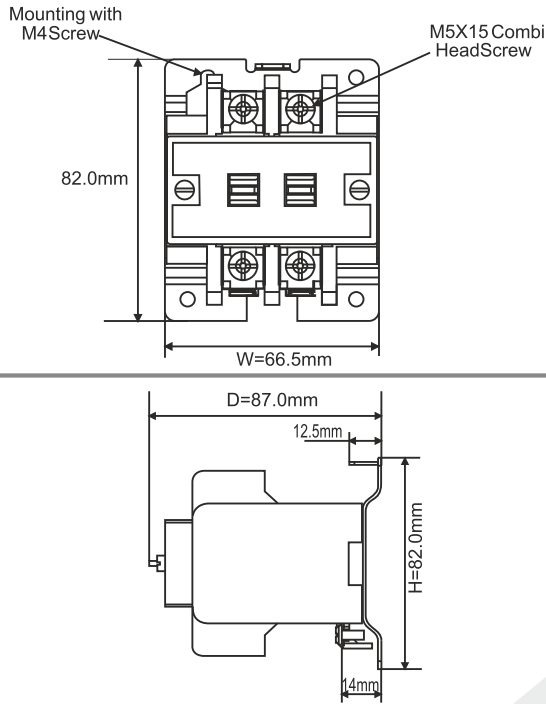
SCH Power Contactor - 2Pole , SCH Power Contactor - 4Pole , SCH Power Contactor - 4/4Pole

Contactor

Dimensional Drawings

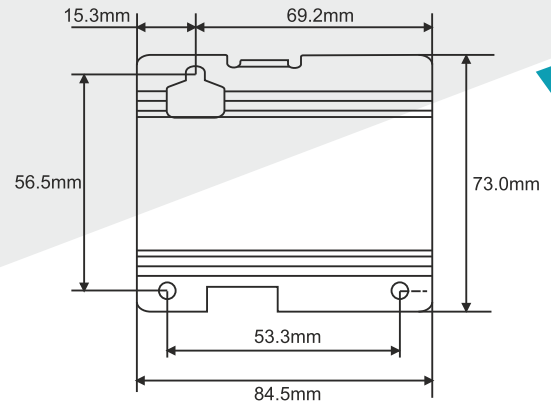
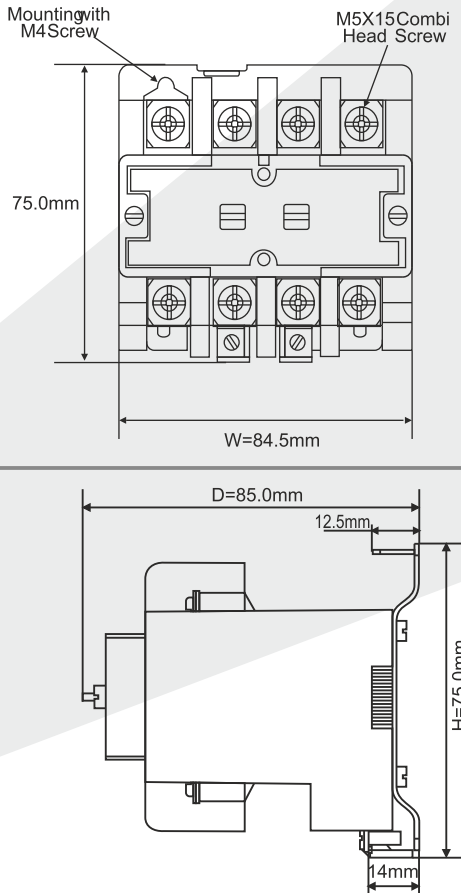
Mounting Arrangement

SCH-2P



All dimensions are in mm.

**SCH-4P
SCH-4/4**



All dimensions are in mm.



SYNERGY ENTERPRISES

Website : www.synergyin.in | E-mail : info@synergyin.in